

SJK (C) Connaught 2, Selangor

Year 1 English Assessment

March 2017

Section A

a. Write the capital letter (8%)

1.

a	

5.

m	

2.

c	

6.

s	

3.

n	

7.

i	

4.

r	

8.

g	

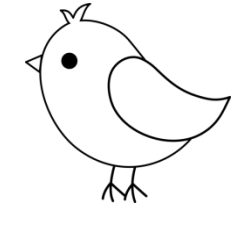
b. Circle the correct sounds. (8%)

1.



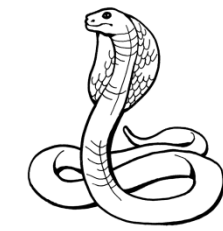
bark	meow
------	------

3.



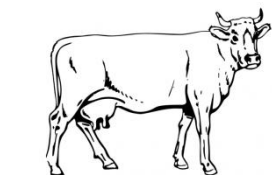
chirp	meow
-------	------

2.



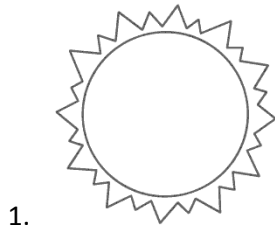
hiss	woof
------	------

4.



moo	quack
-----	-------

c. Fill in the blanks with 'a', 's', 't' only. (12%)



\_\_\_un



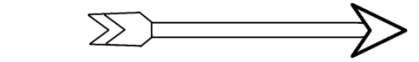
\_\_\_nt



\_\_\_xe



\_\_\_and

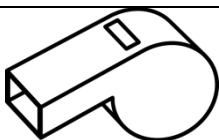
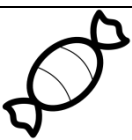

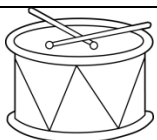

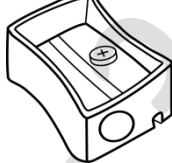
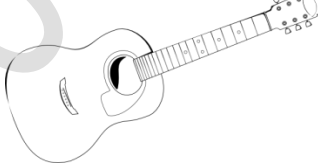



\_\_\_rrow

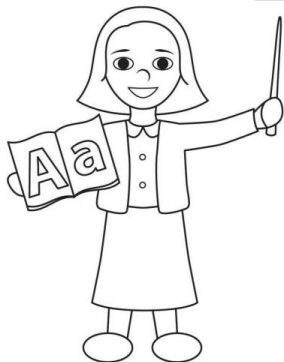


\_\_\_op

d. Colour the things that can make sounds (8%)

1. 	2. 	3. 	4. 
5. 	6. 	7. 	8. 

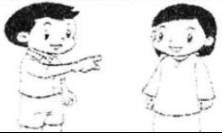



e. Put a tick (✓) or a cross (X). (4%)



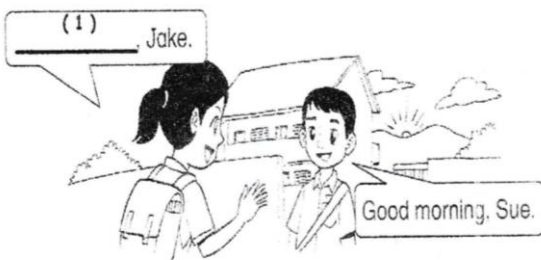



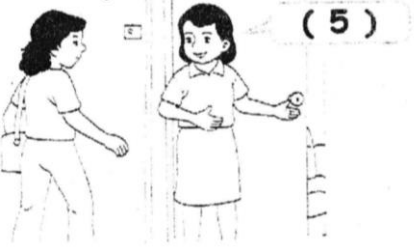
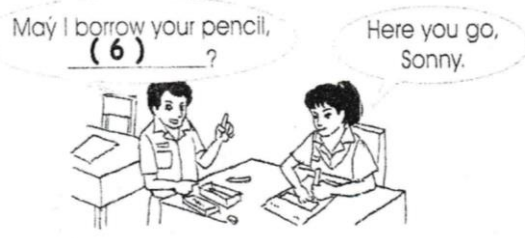
This is my teacher.  
 Her name is Mei Ling.  
 She is 28 years old.  
 She teaches English.  
 She teaches at SJK (C) Batu Satu.  
 She likes to go jogging.

1. My teacher is a boy. (       )
2. Her name is Mei Ling (       )
3. She teaches at SJK (C) Batu Dua. (       )
4. She likes jogging. (       )

f. Circle the correct answer (8%)

1.		(He, She) is Siti.
2.		(I, he) am a boy.
3.		She (is, are) my mother.
4.		(They, I) are my cousins.

g. Choose and write the correct dialogue in the boxes given. (12%)

	
1. Answer:	2. Answer:
	
3. Answer:	4. Answer:
	
5. Answer:	6. Answer:

Hello	Yes	Good morning	please	Thank you	Please come in
-------	-----	--------------	--------	-----------	----------------

Section B

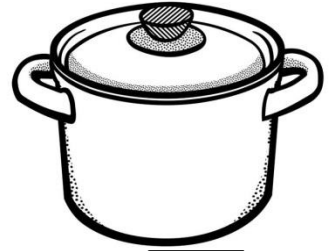
a. Look at the pictures and write the words correctly. (12%)



1.

10

3.



5.



2.



4.



6.

b. Complete the sentences below by using the information given. (12%)

My name is Mei Ling. I am seven years old. I am a girl. I live at No 1, Jalan Uda, Cheras Selangor. I am in Year 1 Lily.

I have a friend. She is Siti. We study at SJK (C) Connought 2. We play badminton. I like to be with Siti so much.

1. Mei Ling is \_\_\_\_\_ years old. She is a \_\_\_\_\_.
2. She is in Year 1 \_\_\_\_\_.
3. Her friend is \_\_\_\_\_.
4. They study at SJK (C) \_\_\_\_\_.
5. They like to play \_\_\_\_\_.

此习题为 [30.com.my](http://30.com.my) 原创，除了出售牟利，老师学校，甚至补习中心都可以无限制使用

c. Rewrite the sentences. Use full stops and capital letters. (10%)

1. alan is a boy

---

2. we are in the school

---

3. she lives in taman jaya

---

4. I have a happy family

---

d. Rearrange and write. (6%)

1. buys bun a Jane

---

2. a cake I have May

---

?

3. gives book the to He brother his

---

## Answer

### Section A

- a. Write the capital letter.
1. A
  2. C
  3. N
  4. R
  5. M
  6. S
  7. I
  8. G
- b. Circle the correct sounds
1. Meow
  2. Hiss
  3. Chirp
  4. Moo
- c. Fill in the blanks with 'a', 's', 't' only.
1. S
  2. A
  3. A
  4. S
  5. A
  6. T
- d. Colour the things that can make sounds  
1,3,4,5,7
- e.
1. X
  2. ✓
  3. X
  4. ✓
- f.
1. She
  2. I
  3. is
  4. They
- g. Choose and write the correct dialogue in the boxes given.
1. Good morning
  2. Thank you
  3. Yes

此习题为 [30.com.my](http://30.com.my) 原创，除了出售牟利，老师学校，甚至补习中心都可以无限制使用

4. Hello
5. Please come in
6. please

#### Section B

- a. Look at the pictures and write the words correctly.
  1. Duck
  2. Cat
  3. Ten
  4. Tap
  5. Pot
  6. Dog
  
- b. Complete the sentences below by using the information given.
  1. Seven; girl
  2. Lily
  3. Siti
  4. Connought 2
  5. badminton
  
- c. Rewrite the sentences. Use full stops and capital letters.
  1. Alan is a boy.
  2. We are in the school.
  3. She lives in Taman Jaya.
  4. I have a happy family.
  
- d. Rearrange and write.
  1. Jane buys a bun.
  2. May I have a cake?
  3. He gives the book to his brother.